

## <Standard series>

### Three phase HV 12kV amorphous cast resin

### dry type transformers performance

1. 相數：3 相 / NO. of phase : 3
2. 額定電壓：HV電壓12kV以下  
Rated voltage : for HV under 12kV and LV under 600V
3. 依據標準：CNS 13390或IEC 60076-11或依客戶要求  
Standard : CNS 13390 or 60076-11 or Customer specification requirement
4. 溫升限制：100°C (F Class) / Temp rise : 100°C (F Class)
5. 頻率：60Hz / Frequency : 60Hz
6. 效率、負載損、電壓變動率、阻抗電壓以換算至75°C為基準  
Efficiency、Load loss、Voltage regulation and Impedance based on 75°C
7. 表列特性為參考值，各項特性請以認可資料或試驗報告為主  
The listed performance are only for reference, Each PERFORMANCE on delivered Transformers are as approval or test report.

Rated Capacity kVA	Loss(W)		Efficiency $\eta$ (%)		Voltage regulation $\epsilon$ (%)	Exciting current $I_o$ (%)	Impedance $I_Z$ (%)	Noise dB(A)
	No-load	Full Loss	Efficiency $\eta$ (%)					
			100%	50%				
300	320	4570	98.50	99.09	1.8	0.8	6.0	60
400	365	5765	98.58	99.15	1.6	0.8	6.0	60
500	430	6430	98.73	99.23	1.6	0.6	6.0	60
600	465	6965	98.85	99.31	1.4	0.6	6.0	62
750	540	8490	98.88	99.33	1.4	0.5	6.0	62
1000	660	9860	99.02	99.41	1.2	0.5	6.0	62
1250	830	12130	99.04	99.42	1.2	0.5	6.0	63
1500	910	13260	99.12	99.47	1.2	0.5	6.0	63
2000	1160	17660	99.12	99.47	1.2	0.5	6.0	64
2500	1310	21310	99.15	99.50	1.0	0.4	6.0	66
3000	1480	23980	99.21	99.53	1.0	0.4	6.0	66

## <Standard series>

### Three phase HV amorphous cast resin dry type transformers

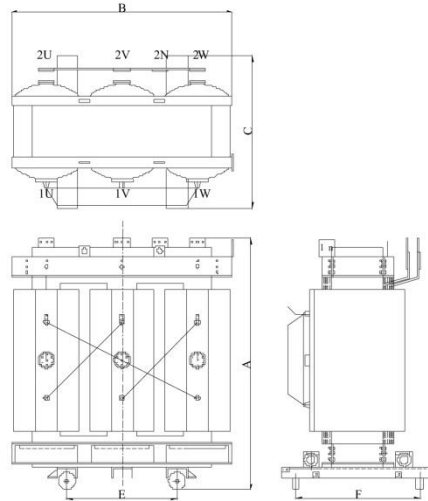
#### 12 kV level Size oil weight table (IP00)

- |  |   |
|--|---|
| 1. 頻率: 60Hz<br>Frequency: 60Hz                   | 3. 無外箱: IP00<br>No enclosure: IP00                |
| 2. 相序: Dd0或Dyn1<br>Vector Symbol:<br>Dd0 or Dyn1 | 4. F Class 100°C<br>Temp rise:<br>100°C (F Class) |

依據標準: CNS 13390或IEC 60076-11  
Standard: CNS 13390 or IEC 60076-11

圖面資料為參考, 實際依認可製造圖面為主

The listed dimensions are only for reference,  
Real dimensions should follow the Approval  
Drawing.



Rated Capacity kVA	Primary Voltage V	Secondary Voltage V	Outline Dimension mm					Weight Kg
			A	B	C	E	F	
300	11400	600 (380/220)	1300	1350	800	700	700	1560
400			1350	1350	800	700	700	1860
500			1350	1500	800	700	700	2200
600			1550	1500	800	700	700	2500
750			1600	1550	900	800	800	3000
1000			1800	1550	1000	800	800	3700
1250			1750	1600	1100	900	900	4120
1500			1850	1700	1200	1000	1000	4650
2000			2100	1800	1300	1100	1000	5850
2500			2150	1900	1400	1100	1200	7200
3000			2200	1950	1400	1100	1200	8500

## <Standard series>

### Three phase HV 24kV amorphous cast resin

#### dry type transformers performance

1. 相數：3 相 / NO. of phase : 3
2. 額定電壓：HV電壓24kV以下  
Rated voltage : for HV under 24kV and LV under 600V
3. 依據標準：CNS 13390或IEC 60076-11或依客戶要求  
Standard : CNS 13390 or 60076-11 or Customer specification requirement
4. 溫升限制：100°C (F Class) / Temp rise : 100°C (F Class)
5. 頻率：60Hz / Frequency : 60Hz
6. 效率、負載損、電壓變動率、阻抗電壓以換算至75°C為基準  
Efficiency、Load loss、Voltage regulation and Impedance based on 75°C
7. 表列特性為參考值，各項特性請以認可資料或試驗報告為主  
The listed performances are only for reference, Each PERFORMANCE on delivered Transformers are as approval or test report.

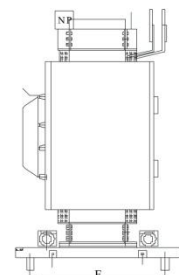
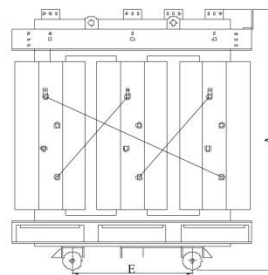
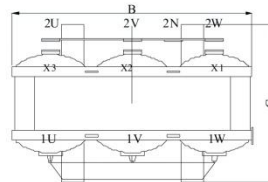
Rated Capacity kVA	Loss(W)		Efficiency $\eta$ (%)		Voltage regulation $\epsilon$ (%)	Exciting current $I_0$ (%)	Impedance $I_Z$ (%)	Noise dB(A)
	No-load	Full Loss	Efficiency $\eta$ (%)					
			100%	50%				
300	330	4830	98.42	99.04	1.8	0.8	6.0	62
400	380	5980	98.53	99.12	1.6	0.8	6.0	62
500	440	6740	98.67	99.20	1.6	0.6	6.0	62
600	480	7280	98.80	99.28	1.4	0.6	6.0	64
750	550	8750	98.85	99.31	1.4	0.5	6.0	64
1000	680	10180	98.99	99.39	1.2	0.5	6.0	64
1250	840	12440	99.01	99.41	1.2	0.5	6.0	65
1500	920	13400	99.11	99.46	1.2	0.5	6.0	65
2000	1160	18060	99.11	99.46	1.2	0.5	6.0	66
2500	1330	21810	99.13	99.49	1.0	0.4	6.0	66
3000	1500	24500	99.19	99.52	1.0	0.4	6.0	68

## <Standard series>

### Three phase HV amorphous cast resin dry type transformers

#### 24 kV level Size oil weight table (IP00)

- |  |   |
|--|---|
| 1. 頻率: 60Hz<br>Frequency: 60Hz                   | 3. 無外箱: IP00<br>No enclosure: IP00                |
| 2. 相序: Dd0或Dyn1<br>Vector Symbol:<br>Dd0 or Dyn1 | 4. F Class 100°C<br>Temp rise:<br>100°C (F Class) |



依據標準: CNS 13390或IEC 60076-11

Standard: CNS 13390 or IEC 60076-11

圖面資料為參考, 實際依認可製造圖面為主

The listed dimensions are only for reference, Real dimensions should follow the Approval Drawing.

Rated Capacity kVA	Primary Voltage V	Secondary Voltage V	Outline Dimension mm					Weight Kg
			A	B	C	E	F	
300	11400 / 22800 或 22800	600 below (380/220)	1400	1450	800	800	600	2000
400			1500	1450	800	800	600	2200
500			1500	1550	900	800	700	2400
600			1600	1550	900	800	700	2800
750			1650	1600	1050	800	800	3000
1000			1750	1600	1100	900	800	3650
1250			1800	1600	1150	1000	900	4000
1500			1900	1720	1200	1000	1000	5000
2000			2200	1850	1300	1100	1000	6700
2500			2200	1950	1400	1200	1100	7500
3000	2200	1950	1400	1200	1200	8500		